



oimoi

loomma





inspiration

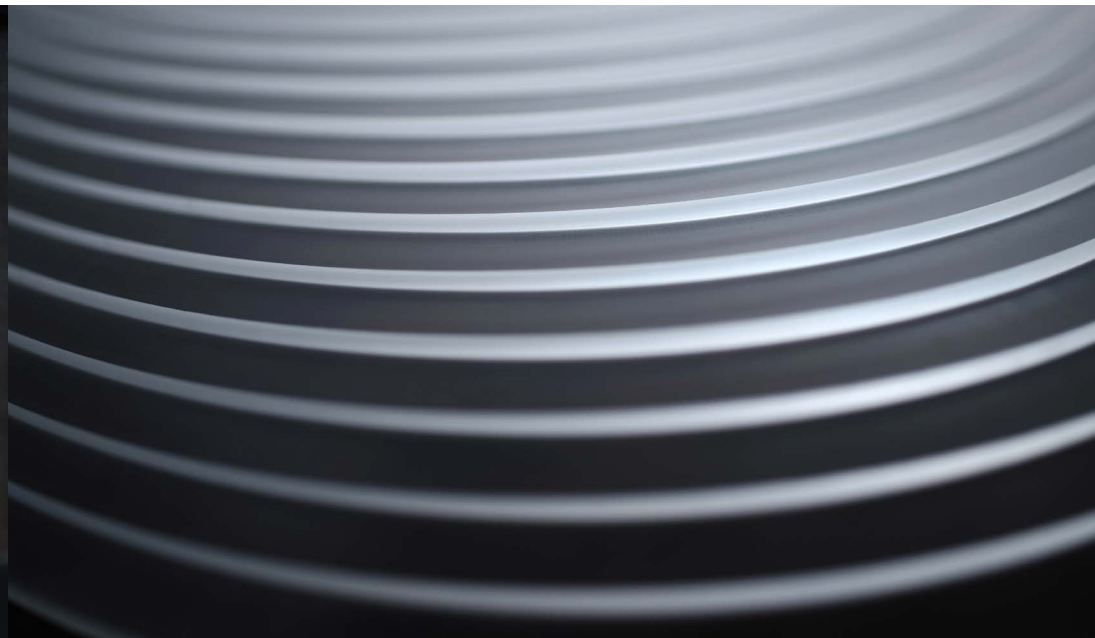


## AMA

Pearls from the depth of the mysterious sea

The name of this collection refers to pearls, specifically the Japanese female pearl divers called Ama. The Ama Collection visually evokes the delicate shells of mussels that produce treasured pearls. Meticulously cut glass of substantial size encases a pearl in its center in the form of a light source providing soft ambient light. The perfectly cut growth lines on the outer shell point to the center of the light, further evoking the unique impression of a pearl.

Design by Václav Mlynář



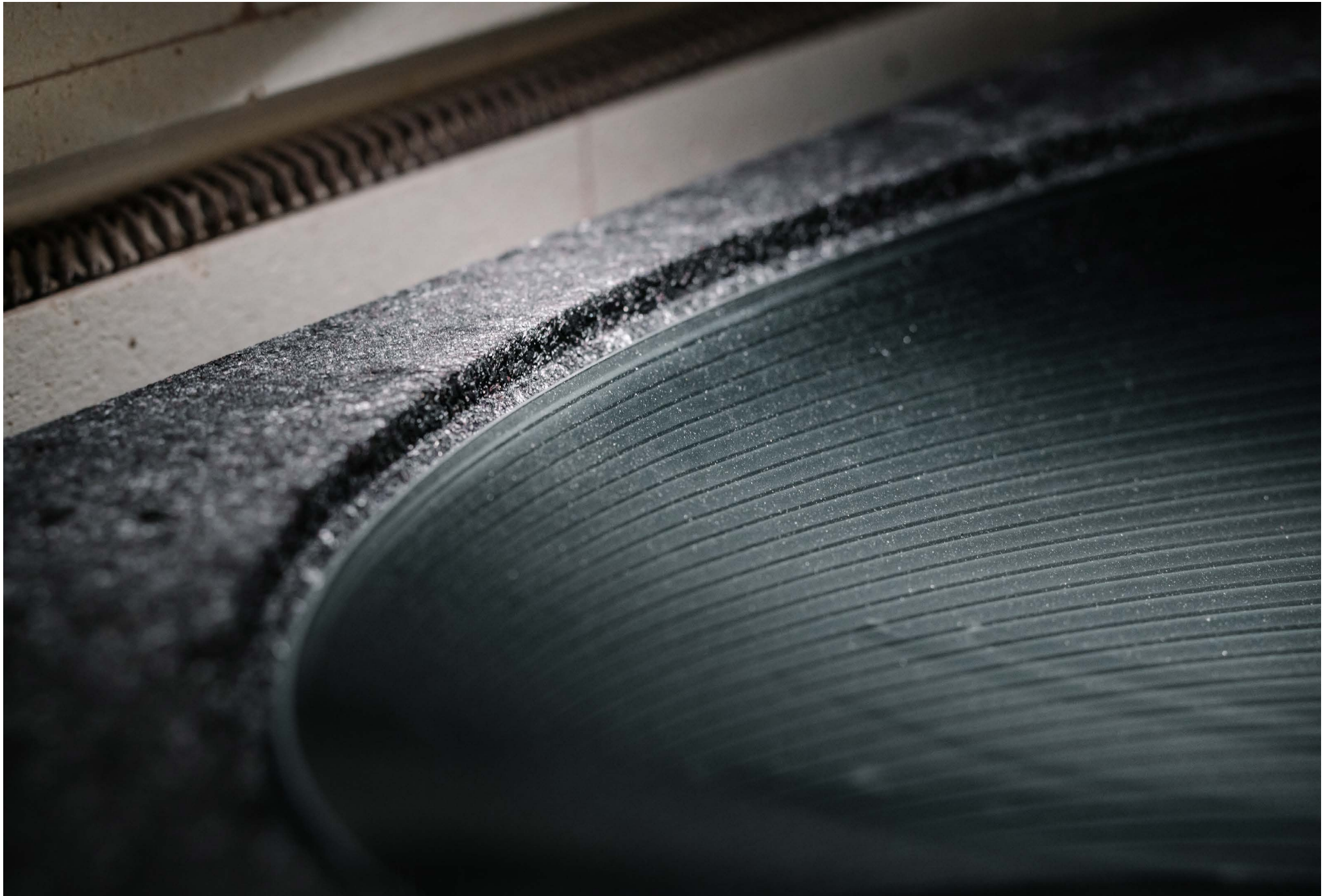
## AMA

### Pearls from the depth of the mysterious sea

There are two available construction variations of the mounting that may be preconfigured and determine whether the shell will be opened or closed, evoking real-life pearl mussels. "These lights enable beautiful combinations of opened and closed shells, always creating an original constellation," Václav Mlynář explains. The sophisticated elegance of Ama is further enhanced by color variations of the glass, including ethereal matte shades, clear and bronze tones, as well as a sparkly polished smoke color.

Design by Václav Mlynář

production



Over the course of two days, the glass is heated and gradually melts by its own weight into a prepared conical mold.

lomma





Each glass shell is meticulously cutted by in-house developed machines.



options



bronze matte  
black



smoke  
black

clear matte  
black

# pendant

Glass options: clear matte, bronze matter, smoke  
Fitting options: black

lomma

technical informations

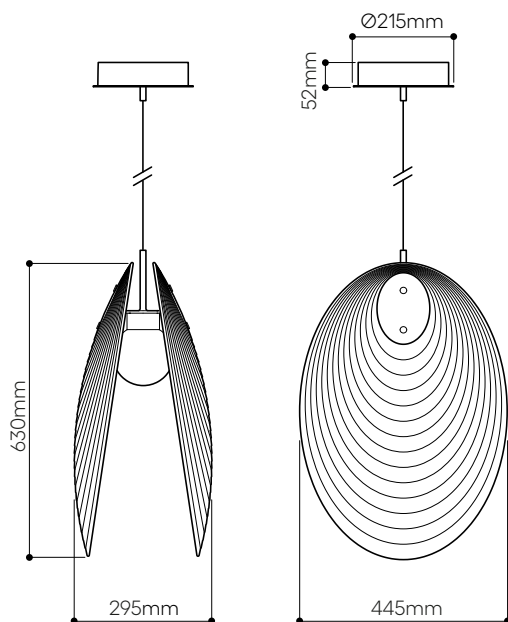
# AMA pendant - opened

Design by  
Václav Mlynář

## Handmade glass attributes

The Ama Collection is made by our in-house developed glassmaking technique. Over the course of two days, the glass is heated and gradually melts by its own weight into a prepared conical mold. Any irregularities in the glass are both proof and a characteristic feature of this unique glassmaking process.

Each piece of Ama collection is then defined by precise cut.



## LIGHTING DESCRIPTION

Size	dia 445 mm, H 630 mm dia 17,5 inch, H 24,8 inch
Cable	black textile braid cable 2,5 m / 98,4 inch
Weight	+/- 12 kg / 26,5 lb
Glass	lead-free crystal in clear matte, bronze matter and smoke
Mounting	black (=aluminium black elox)
Canopy color	black (=steel with black powder coating)
Protection	IP 20
Nominal voltage	220-240V / A.C. 50-60 hz (EU) 110-120 V / A.C. 60 Hz (USA)
Class	I. EU / I. USA

## LIGHT SOURCE

Type	LED module 12,6W, 2450lm, 350mA
Base	custom LED module
Voltage	220-240V, AC (EU) / 110-120V, AC (USA)
Temperature	2700 K
Color index	RA 90+
Dimming	Dimmable with TRIAC dimmers

## TRANSFORMER

Mean Well PCD-16-350B EU  
Mean Well PCD-16-350A USA

## PACKAGING

Material	Cardboard
Size	800 × 640 × 440 mm 31,5 × 25,2 × 17,3 inch

Origin: traditionally produced in the Czech Republic  
Intellectual property license holder: Bomma Czech Republic (EU)  
Represented by BMRC group s.r.o.

CERTIFICATES



bomma

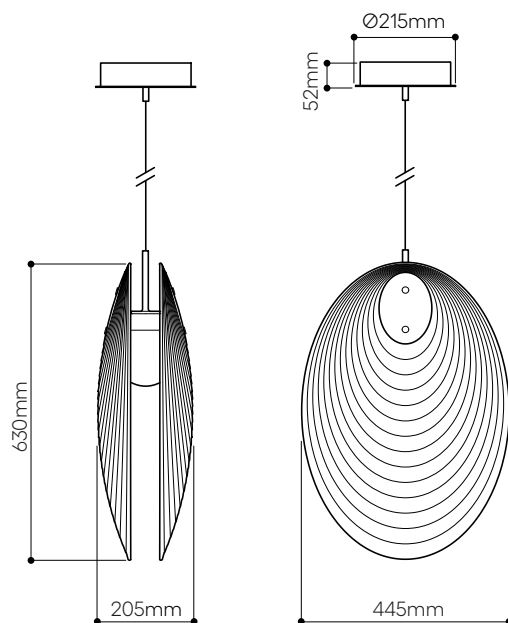
# AMA pendant - closed

Design by  
Václav Mlynář

## Handmade glass attributes

The Ama Collection is made by our in-house developed glassmaking technique. Over the course of two days, the glass is heated and gradually melts by its own weight into a prepared conical mold. Any irregularities in the glass are both proof and a characteristic feature of this unique glassmaking process.

Each piece of Ama collection is then defined by precise cut.



## LIGHTING DESCRIPTION

Size	dia 445 mm, H 630 mm dia 17,5 inch, H 24,8 inch
Cable	black textile braid cable 2,5 m / 98,4 inch
Weight	+ 12 kg / 26,5 lb
Glass	lead-free crystal in clear matte, bronze matter and smoke
Mounting	black (=aluminium black elox)
Canopy color	black (=steel with black powder coating)
Protection	IP 20
Nominal voltage	220-240V / A.C. 50-60 hz (EU) 110-120 V / A.C. 60 Hz (USA)
Class	I. EU / I. USA

## LIGHT SOURCE

Type	LED module 12,6W, 2450lm, 350mA
Base	custom LED module
Voltage	220-240V, AC (EU) / 110-120V, AC (USA)
Temperature	2700 K
Color index	RA 90+
Dimming	Dimmable with TRIAC dimmers

## TRANSFORMER

Mean Well PCD-16-350B EU  
Mean Well PCD-16-350A USA

## PACKAGING

Material	Cardboard
Size	800 × 640 × 440 mm 31,5 × 25,2 × 17,3 inch

Origin: traditionally produced in the Czech Republic  
Intellectual property license holder: Bomma Czech Republic (EU)  
Represented by BMRC group s.r.o.

CERTIFICATES



bomma

BMRC Group s.r.o.  
Hvězdova 1716/2b,  
Prague 4, 140 00,  
Czech Republic

[info@bomma.cz](mailto:info@bomma.cz)

step beyond